



**REQUEST FOR QUOTATION  
 NP- SMALL VALUE PROCUREMENT**

RFQ No. : DSWD7-2020- 1118  
 Date : October 13, 2020

Company Name : \_\_\_\_\_  
 Company Address : \_\_\_\_\_  
 Contact Person : \_\_\_\_\_  
 Contact No. : \_\_\_\_\_  
 PhilGEPS Registration No.: \_\_\_\_\_

**Sir/Madam:**

Please quote your government price/s including delivery charges, VAT or other applicable taxes, and other incidental expenses for the goods listed in Annex A. Failure to indicate information could be the basis for non-compliance. Also, kindly furnish us with descriptive brochures, catalogues, literatures and/or samples, if applicable.

If you are the exclusive manufacturer, distributor or agent in the Philippines for the goods listed in **Annex A**, please attach in your quotation a duly notarized certification to this effect.

Interested supplier/s are required to submit true copies of their valid **Mayor's Permit, Philgeps Registration Number, Omnibus Sworn Statement** for ABC above Php50,000.00 and Latest Income Tax Return for ABC above Php500,000.00 upon submission of quotation/s.


Please accomplish and submit this **form** together with **Annex A** and **Bank Information** to the BAC Secretariat, DSWD Field Office VII, Cebu City or send it through facsimile numbers (032) 233-8785; 232-0261; 231-2172 local 140 or 148 or e-mail to bac.fo7@dswd.gov.ph on or before **October 19, 2020 at 5:00 pm**.

Very truly yours,

  
**ROSARIO P. BACONG**  
 AO V/Head, Procurement Management Section

**Terms and Conditions:**

1. Award shall be made on per:  item basis  total quoted price  lot basis
2. Quotation validity shall be not less than **60 calendar days**.
3. Good/s or Services shall be delivered within **30 calendar days** and completed within 30 calendar days upon receipt of approved Purchase Order.
4. Place of Delivery: **DRMD Warehouse, Camomot Franza Road., Bgry. Labangon, Cebu City**
5. Terms of Payment: **within 30 calendar days from the receipt of Billing Statement / Sales Invoice.**
6. Liquidated Damages/Penalty: **One-tenth of one percent for everyday of delay shall be imposed.**
7. In case of discrepancy between total price per item and unit price for the item as extended or multiplied by the quantity of that item, the latter shall prevail.
8. Warranty Period, if applicable: \_\_\_\_\_

  
**MICHAEL SAM FLORES**  
 Canvasser

I am interested to quote and agree to the terms and conditions.

\_\_\_\_\_  
 (Signature over Printed Name of Supplier /  
 Authorized Representative)



**DEPARTMENT OF SOCIAL WELFARE AND DEVELOPMENT**  
Field Office VII, Cebu City

Company Name  
Company Address  
Contact Person  
Contact No.

RFQ No.: DSWD7-2020- 1118  
Date: October 13, 2020

PhilGEPS Registration No.:

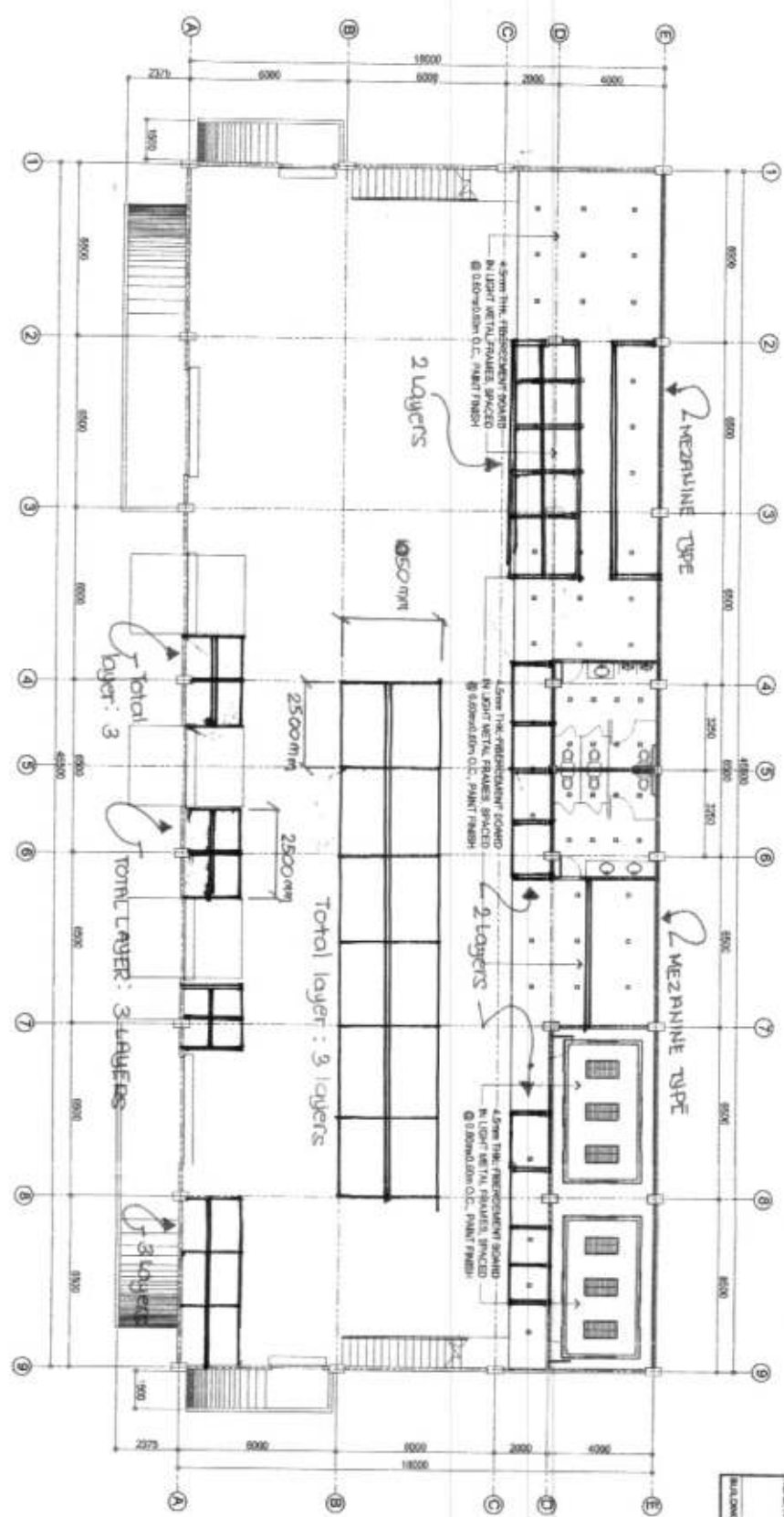
Item No.	Qty.	Unit	Articles / Descriptions	Statement of Compliance (State "Comply" or "Not Comply")	Bidder's Specifications	Unit Cost	Total Cost
<b>PALLET RACKING SYSTEM</b>							
1	40	set	A. Upright Post Section Size(90mm x 60mm), Thickness (at least 1.2mm), Material (at least Q235B) Clear Entry: at least 4,000mm, 12 bend roll formed section, powder coated/finish. Depth: atleast 900mm				
2	130	pc	B. Box Beam: Thickness (at least 1.5mm) , Height (at least 50mm) Specification (B-100) Material ( Q235B) Clear Entry (atleast 2,500mm) ,Dimension: 50mmx100mm				
3	45	pc	C. Connectors: No. of tabs (at least 3tabs) Breath (39.5mm) Width (64mm) Depth (150mm) Thickness 9 at least 3.5mm)				
4	280	pc	D. Supporting Beam: Weight: at least 4lbs Dimension ( H-50mm, D-30mm) at least Length: at least 900mm Made of steel powder coated orange, mounted on load bearing beams				
General Specification: 1. Beam Color: Orange 2. Upright Post Color: Blue 3. Diagonal Brace Color: Blue 4. Bracing Section: atleast 30mmx30mmx1.5mm withupright fasteners at least M8x75 5. For Bolt and Knot see attached specification Note: Installation is included Completion Day: 30 Calendar days See attached details and specification							
Approved Budget for the Contract: <b>Php 665,100.00</b>							
Charge to: <b>DRMD</b>							
End User: <b>Disaster Response and Management Division (DRMD)</b>							
Purpose : For stockpiling of FFPs and RAW Materials in Regional Warehouse							
Note: Procurement procedure in accordance with DSWD-Memorandum Circular No. 2, Series of 2007.				Note: "Bidder's Specifications" column may be filled up with supplier's offer (brand, model, origin) or may copy "Articles/Description" stated if applicable.			

Signature of Supplier / Authorized Representative

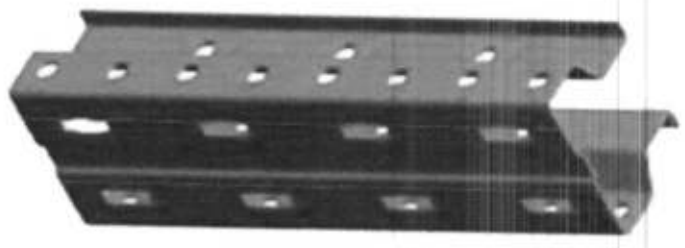
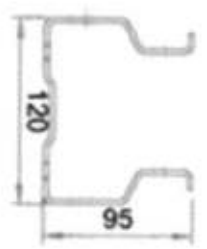
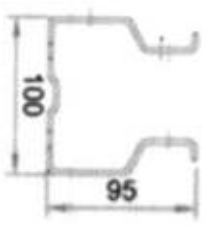
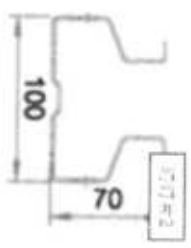
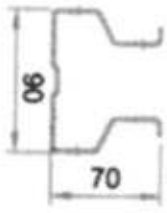
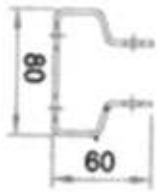
**MICHAEL SAM FLORES**  
Canvasser

<b>SEAL</b>	REC. NO. : 23300	DATE : 3/24/2009	TIA : 203/73485
	PLN NO. : 096005	DATE : 12/20/15	
ADDRESS : BRGY. BARBA, MARINA CITY	PROJECT TITLE : EXPANSION OF DSMD FO VII REGIONAL WAREHOUSE BUILDING		
LOCATION : BRGY. BARBA, MARINA CITY	RECOMMENDING APPROVAL :	APPROVED BY :	SHEET CONTINUED :
	ASST. REGIONAL DIRECTOR	REGIONAL DIRECTOR	GROUND FLOOR REFLECTED CEILING PLAN
			REVISION : 9

1 GROUND FLOOR REFLECTED CEILING PLAN  
A-4 SCALE 1/30



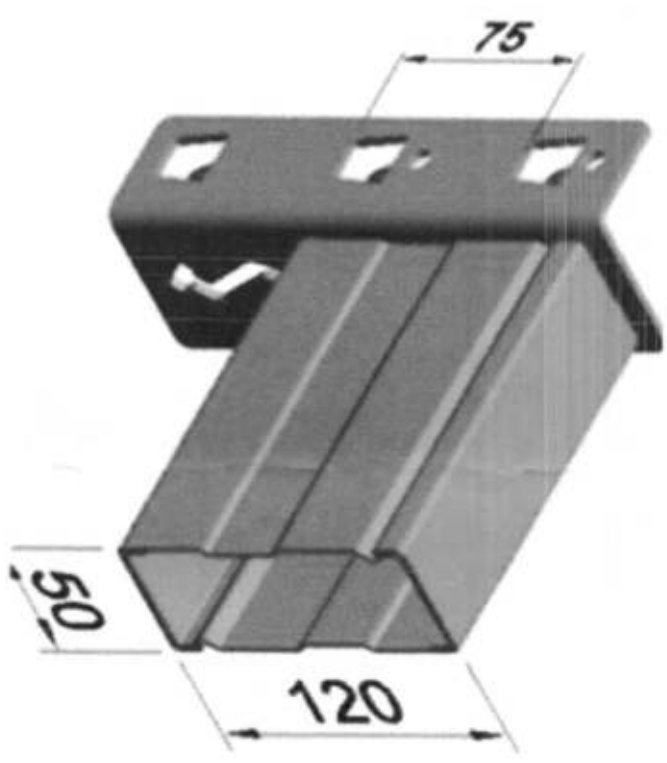
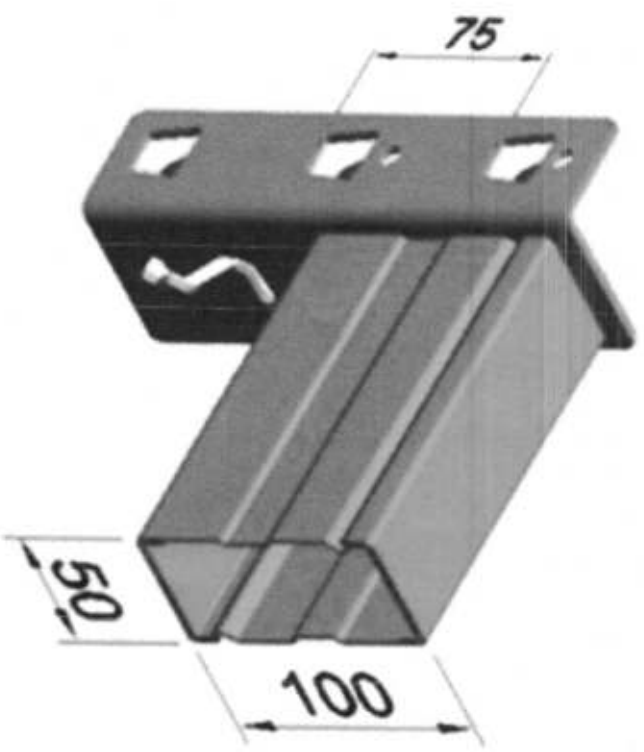
DESIGNED BY	DATE
DRAWN BY	DATE
RECOMMENDING APPROVAL	DATE
HEAD ARCHITECTURAL SECTION	DATE
DIVISION OF REGIONAL DIRECTOR'S OFFICE OF THE BUILDING DIVISION <b>CEBU CITY</b> PROJECT 07-1384	



75

Main Components	Section size	Thickness	Material
Upright	80*60	1.5, 1.8	Q235B
	90*70	1.8, 2.0	Q235B
	100*70	2.0, 2.3, 2.5	Q235B
	100*95	2.0, 2.3, 2.5	Q235B
	120*95	2.75, 3.0	Q235B

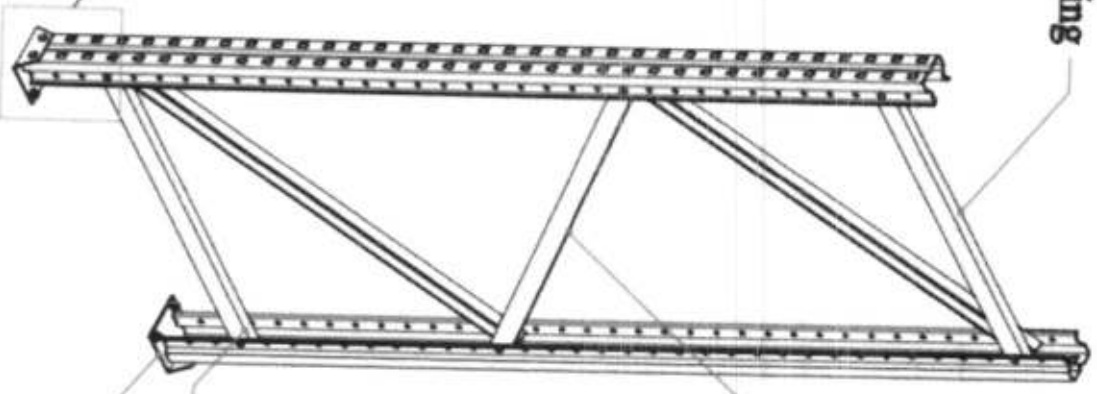
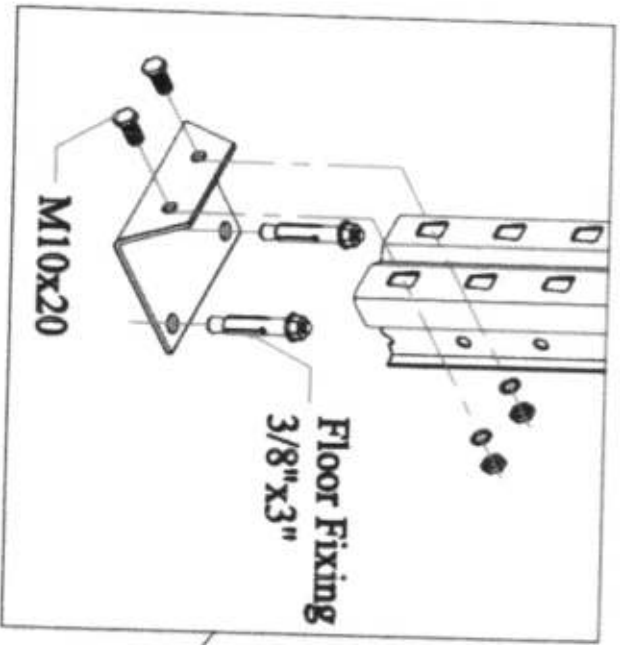
Model	Clear Entry (mm)	Thickness	Height (mm)	Specification	Material
Box	1200, 1400, 1800, 2100, 2300, 2500, 27	1.5mm	50mm	B80,B100,B110,B12	Q235B
Beam	00, 3300, 3600, 3900			0,B140,B160	





Horizontal Frame Bracing

END FRAME



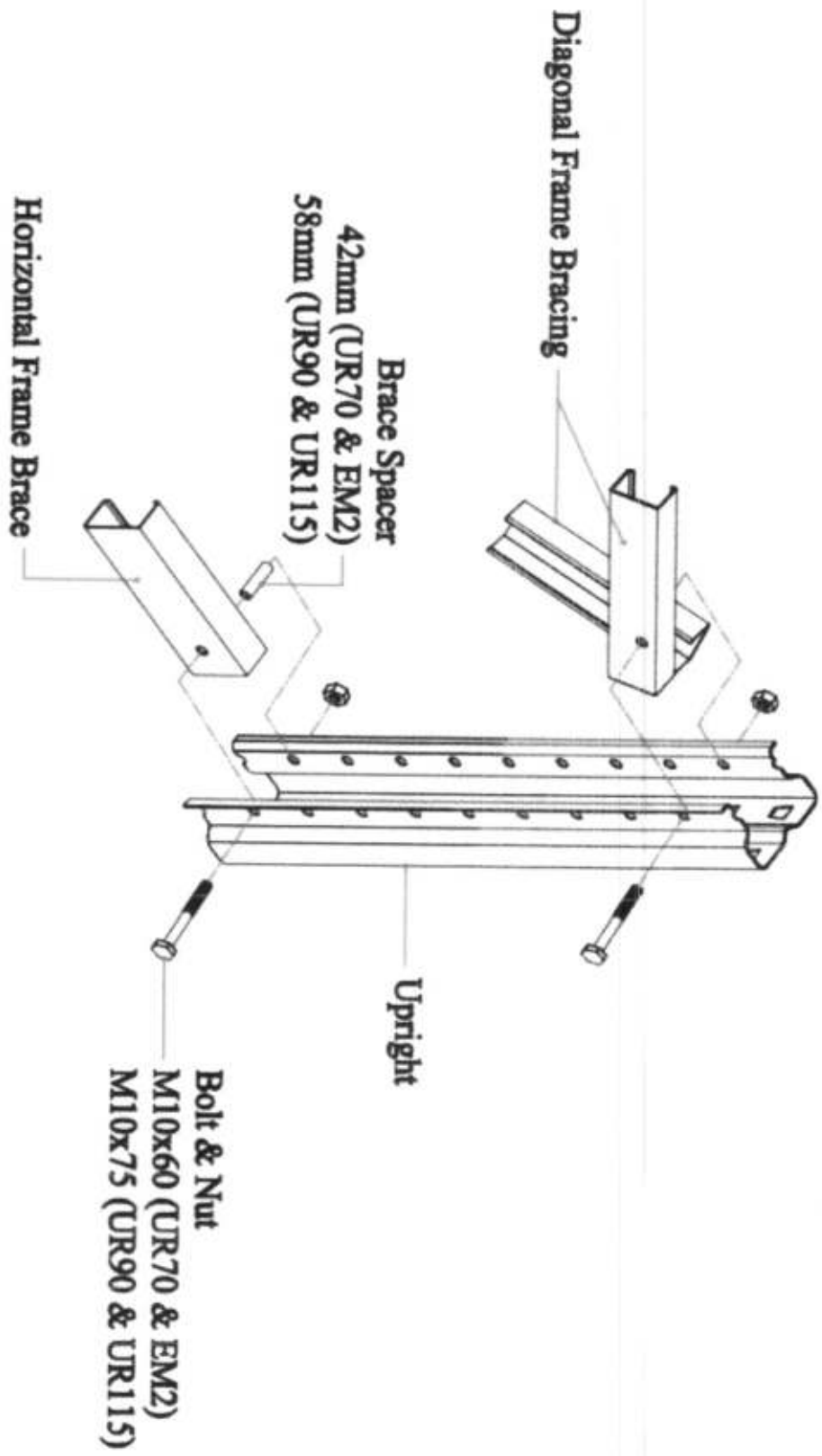
Diagonal Frame Bracing

1st Bracing Start From 3rd or 5th Hole

Standard Base Plate

DIMENSIONS ARE IN MILLIMETERS UNLESS OTHERWISE SPECIFIED

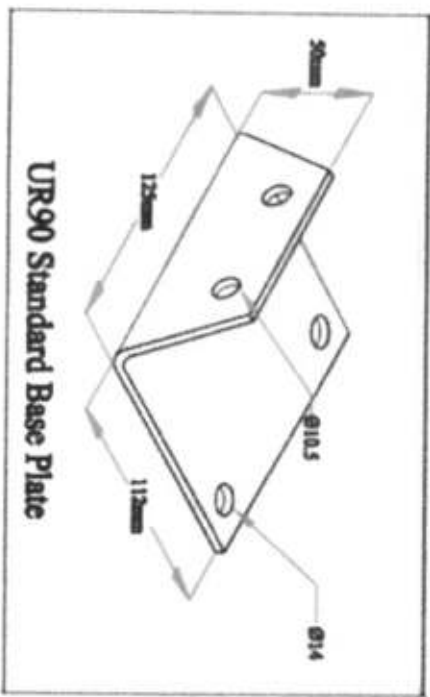
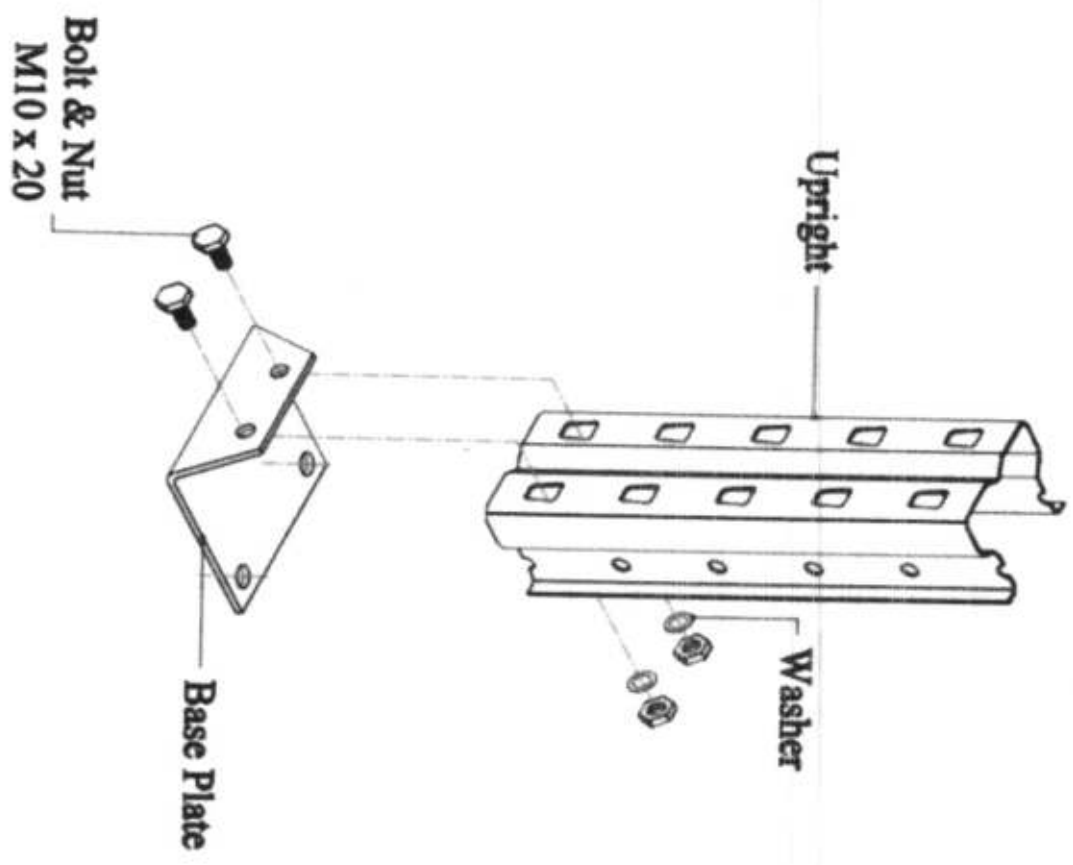
# FRAME BRACING, BRACE SPACER & UPRIGHT ASSEMBLY



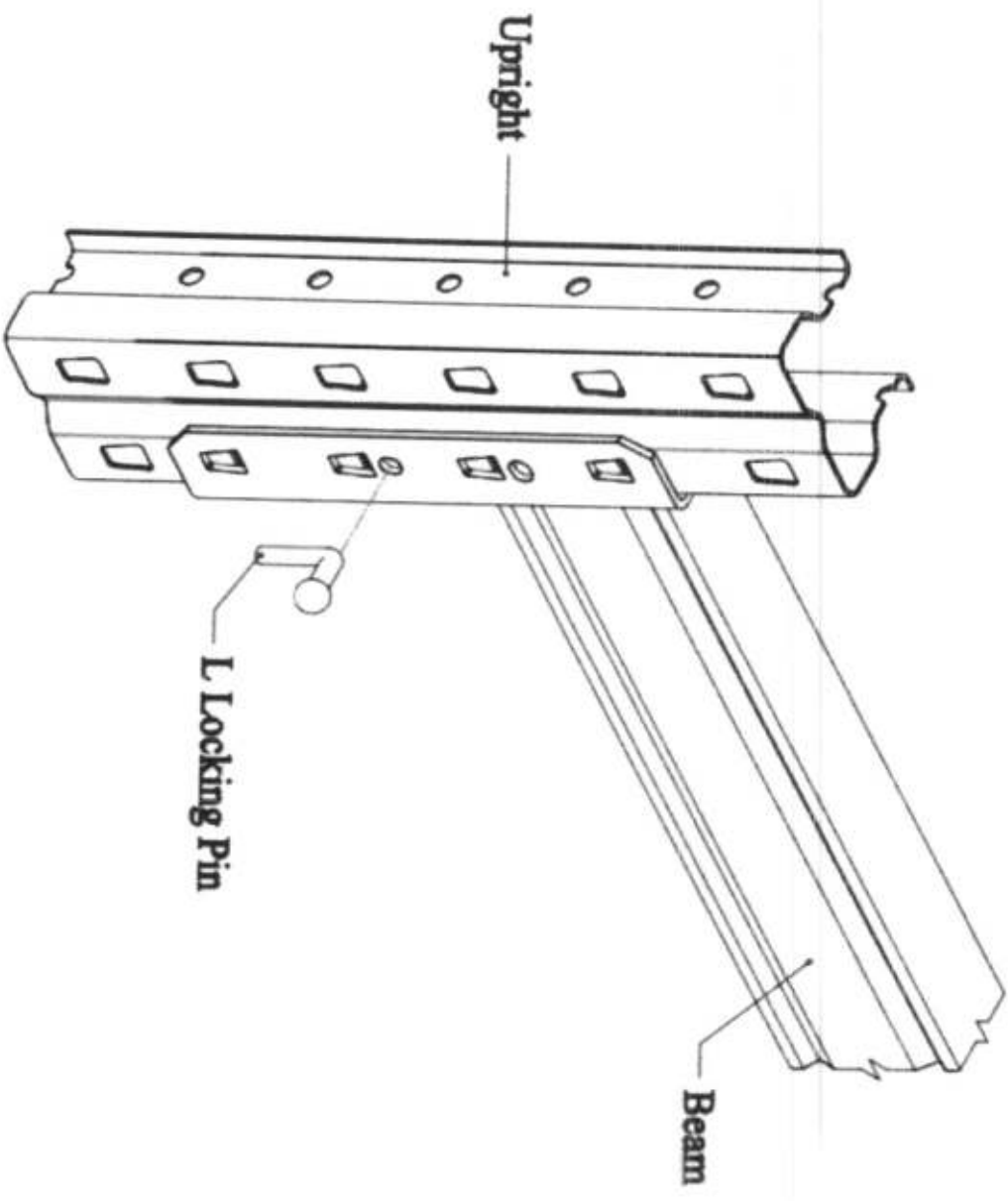
DIMENSIONS ARE IN MILLIMETERS UNLESS OTHERWISE SPECIFIED



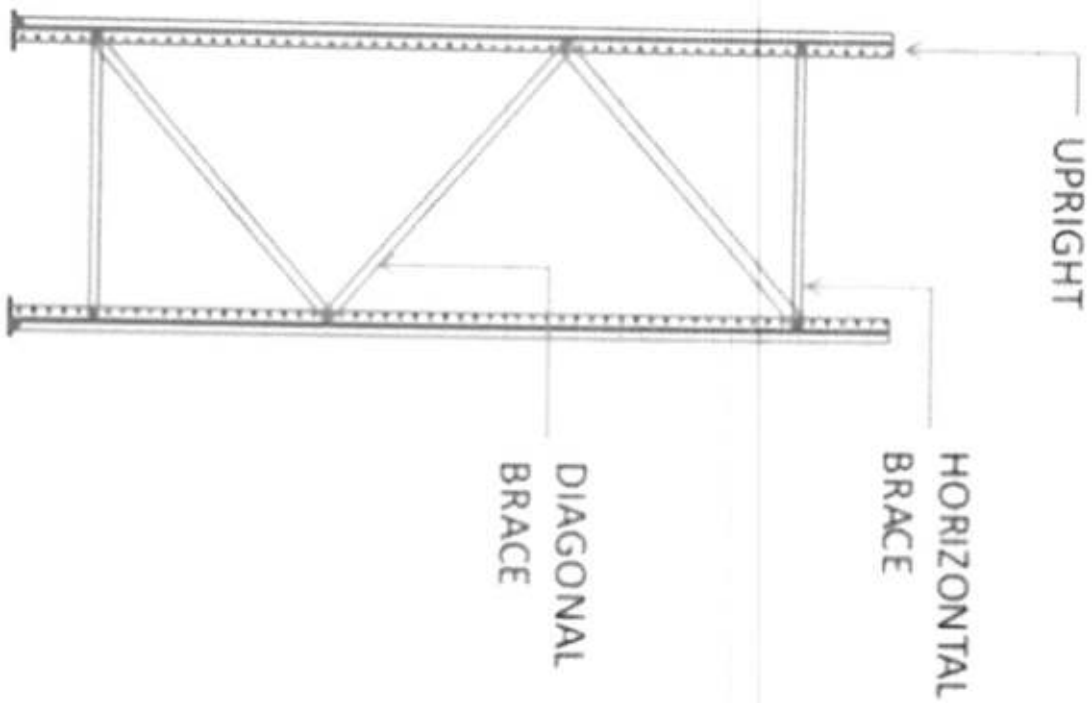
# STANDARD BASE PLATE ASSEMBLY



# BEAM, LOCKING PIN & UPRIGHT ASSEMBLY

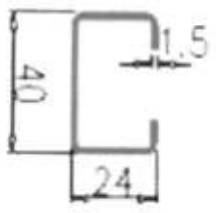
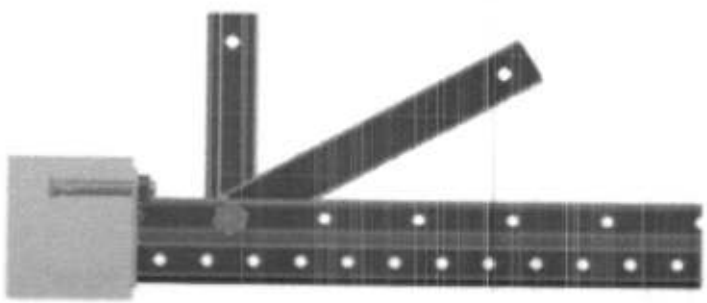
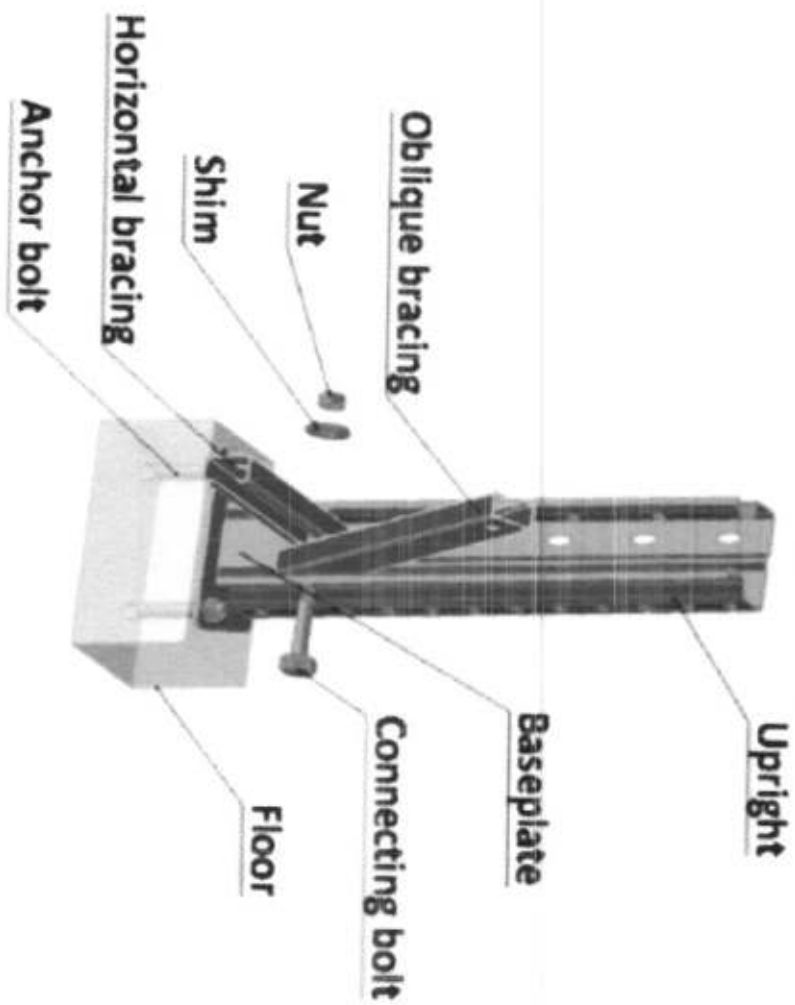


DIMENSIONS ARE IN MILLIMETERS UNLESS OTHERWISE SPECIFIED

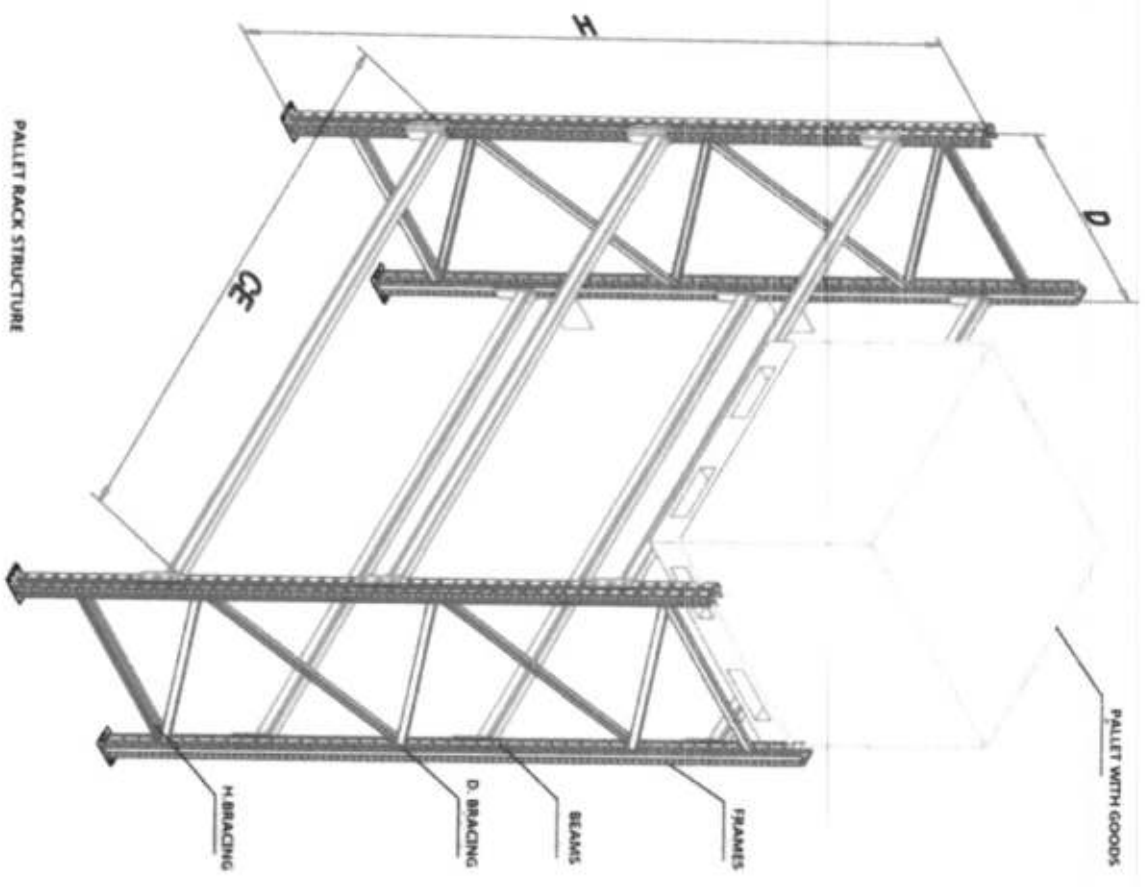


BRACES 30 x 30 x 1.6 thk are  
FIXED WITH UPRIGHT  
FASTENERS M8 X 75





**Bracing section**



PALLET RACK STRUCTURE

PALLET WITH GOODS

H BRACING

D BRACING

BEAMS

FRAMES

### RACK ROW GUARD

Model	Height (mm)	Dia. of Pipe	Color	Material
Frame Barriers, Rack Row Guards	500mm, 600mm, 900mm	65mm, 76mm, 89mm	Powder coated Yellow or Orange.	Steel Pipe: 2.5mm Thick